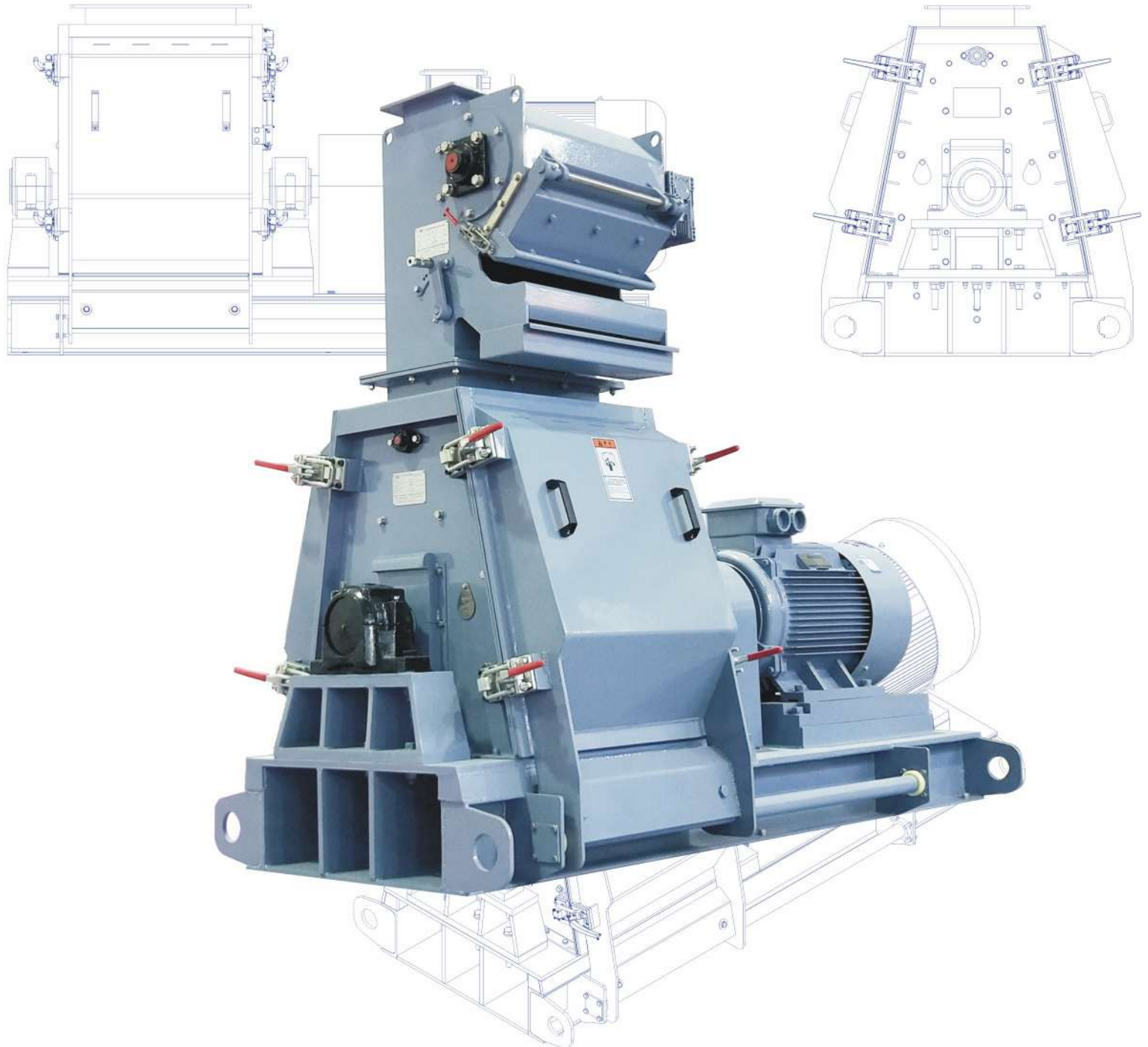


SFSP Series Hammer Mill



SFSP Series Hammer Mill



PERFORMANCE CHARACTERISTICS

High capacity and low energy consumption
Advanced droplet crushing chamber design, reasonable secondary crushing structure, although compared with other models increased by 20%;

Both sides of the feed port are equipped with wear-resistant tooth plates to effectively destroy the material circulation and increase the impact on the material. Rubbing, tearing, shearing action, improve the crushing efficiency, set the wind replenishing device at the end of the shaft, supplement the air volume of the crushing chamber, destroy the crushing circulation, Set two kinds of hammer screen clearance, two different rotor configuration modes, suitable for aquatic feed and livestock feed raw material grinding, respectively lift their respective efficiency

Ultra-stable and durable

The whole base is milled and processed to ensure the stability of the whole operation.

The hammer is made of special alloy steel and hardened by suspended tungsten carbide surface to achieve higher strength and durability.

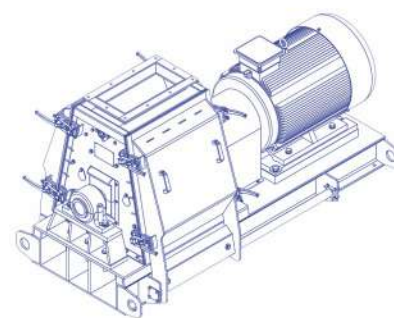
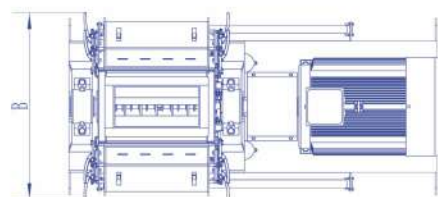
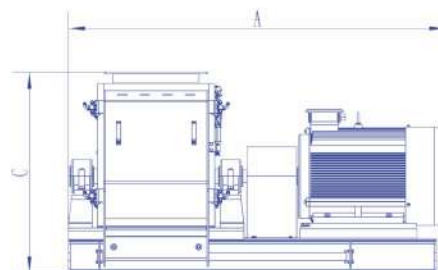
High precision dynamic balance detection rotor, running more smoothly, lower noise.

Test machine by machine, running time > 45min, excellent stability thousand national standards, vibration speed up to 2-4mm/s (national standard ≤16mm/s),

Easy to operate

Shiftable operating door and linkage press screen mechanism, more convenient operation and maintenance, Equipped with safety interlock fitting, protect personal safety;

According to the actual demand, various feeding devices such as screw and impeller can be selected.



product model	SFSP63×35	SFSP63×45	SFSP66×60	SFSP66×80
main power (kw)	22/30	37/45	55/75	90/110
feeder power (kw)	1.1	1.1	1.5	1.5
capacity (t/h) Φ1.0mm	1-2	1.5-3	3-6	5-8
capacity (t/h) Φ2.0mm	2-5	3-7	6-12	9-19

Note: the above parameters are indicators of the following conditions: Raw material is corn, moisture ≤13%, bulk density not less than 0.7t/m³.
Air suction per square meter screen piece ≥55m³/min