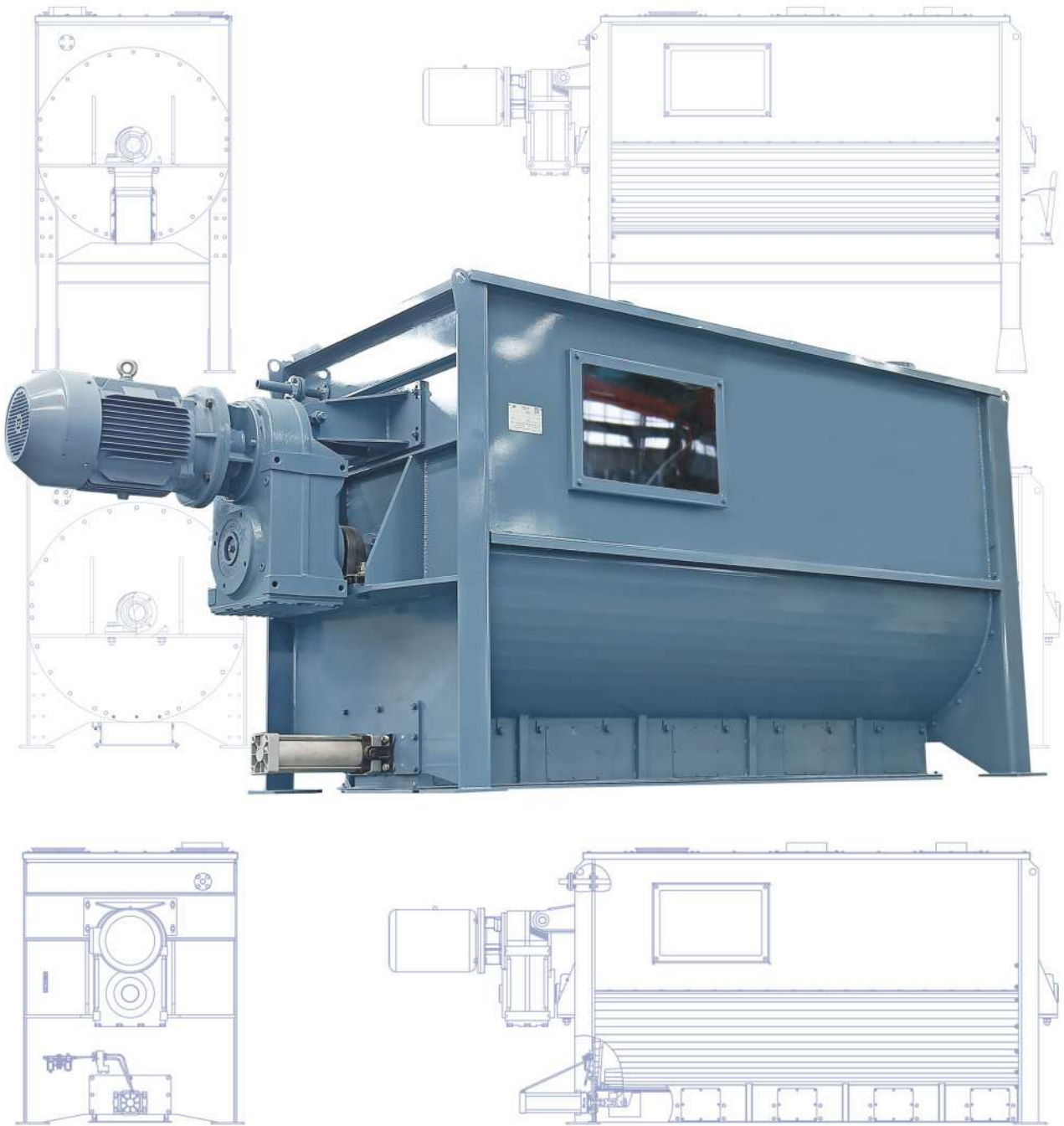


HHLJ Series Screw Paddle Mixer



HHLJ Series Screw Paddle Mixer



PERFORMANCE CHARACTERISTICS

Efficient mixing effect

The patented rotor structure of "screw + paddle" has comprehensive advantages of screw belt and blade; the mixing principle of multi-motion state such as shear and convection ensures the mixing effect; When the high amount of oil is added, the special "rubbing" effect in the mixing process effectively reduces the formation of the oil group.

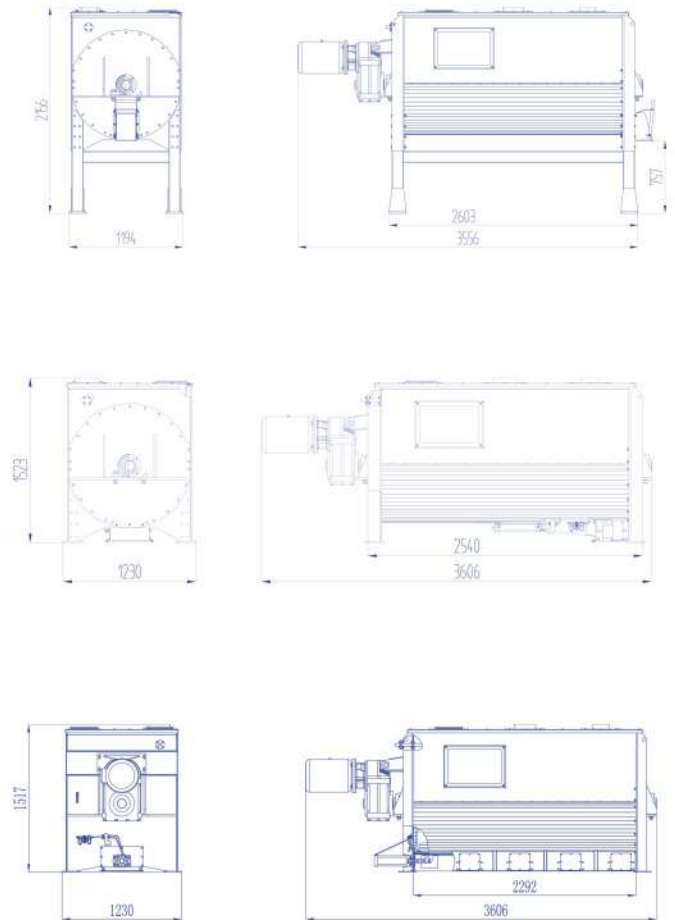
Stable and durable with low maintenance, "one machine can be used for 30 years"

Screw and blade adopt δ 8-12mm high quality manganese plate laser cutting, using special treatment process, through robot welding, hardness and wear resistance are achieved excellent state;

The shell is made of δ 4.5-8mm high quality steel plate, made by laser cutting and precision welding, greatly enhanced stability and durability; hard tooth face reducer and rotor direct transmission; the transmission is stable and reliable, long service life and low maintenance cost;

Heavy load test for each equipment to ensure that all performance indexes reach the standard;

Suitable for feed, additives, chemicals, medicine, pesticides, dyes and food industries.



product model	Power (kw)	Effective volume (m ³)	Capacity per batch (kg/p)	Mixing time (min)	Coefficient of variation (cv)
HHLJ-2.0	15	2.0	1000	3-5	≤5%
HHLJ-4.0	30	4.0	2000		

注：批次混合量物料的含水率<16%，按物料容重0.55t/m³计算。