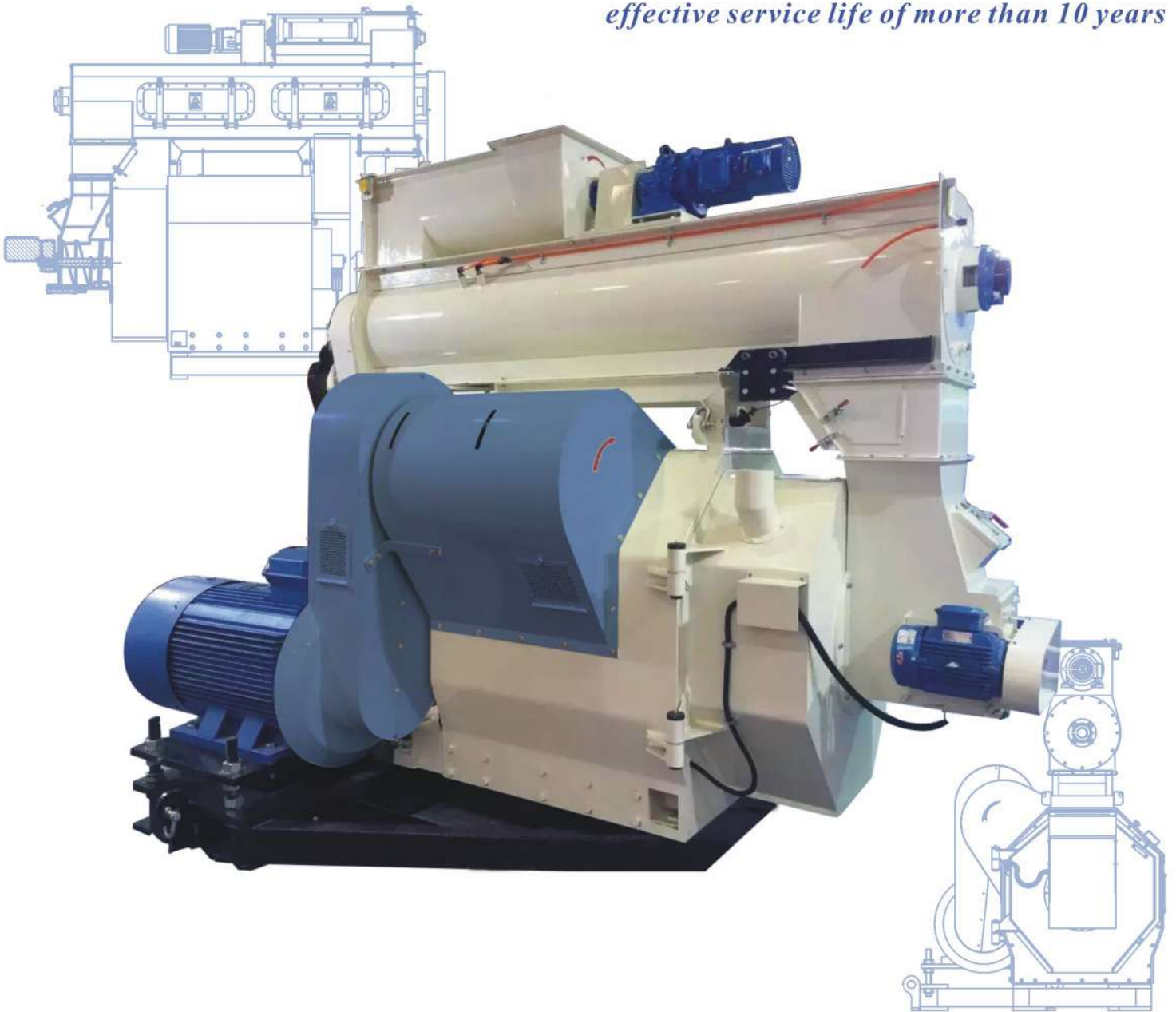


EFFICIENT MOLDING OF BIOMASS PELLETS

PMVB520/650 biomass pellet machine

*Efficient, stable, low maintenance,
effective service life of more than 10 years*



EFFICIENT MOLDING OF BIOMASS PELLETS

PMVB520/650 biomass pellet machine



Hexie Production supplies all the core process equipment on the pellet production line, and also manufactures stand-alone equipment for the production of biomass pellets, solid fuel molding, and waste pellets.

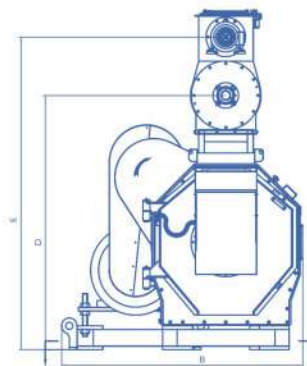
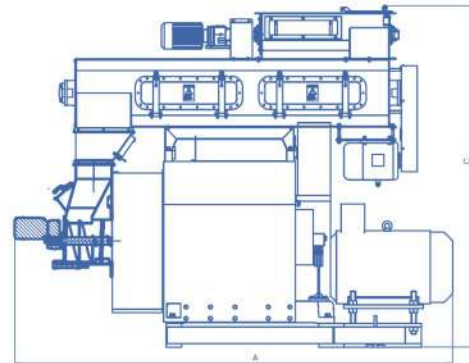
PMVB series

PMVB series granulator is the best choice for biomass pellet producers to produce sustainable energy such as biomass fuel and waste pelleting. This model is equipped with a single motor, two-stage deceleration transmission system, with a wide range of line speed adjustment, reliable operation and long life.

The feeder, modulator and hexagonal door of PMVB series granulator are made of stainless steel, with few wearing parts. The pressure roller interlocking system can easily and quickly realize the adjustment of the gap between the pressure roller and the ring die.

The equipment is equipped with emergency pneumatic discharge bypass, overload protection safety pin, and ring mold lifting device to meet the needs of users.

In addition, Hexie PMVB series pellet machine is also the best choice for processing agricultural and forestry waste and household waste, which produces great environmental protection, social and economic benefits.



Technical Parameters

Model	Ring die mode (mm)	Drive power (kw)	Feeder (kw)	Capacity (t/h)
PMVB520	520	132	1.5	1.0-2.0
PMVB650	650	200/250	3	2.0-4.0

Note: capacity above based on biomass, ring die Φ 8mm in diameter.

Dimensions (mm)

Model	A	B	C	D	E
PMVB520	3076	1675	2492	1834	2246
PMVB650	3668	2017	2860	2130	2618